



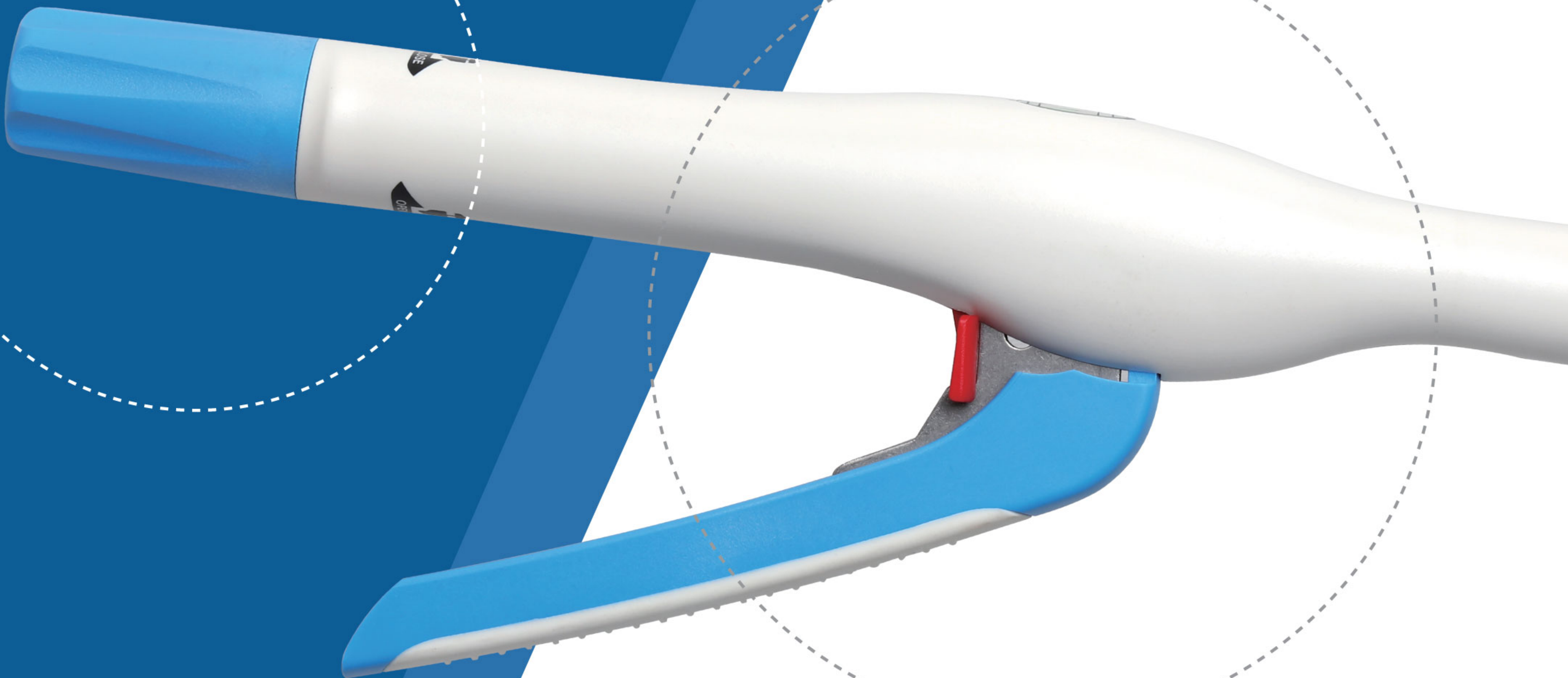
Laparoscopic circular staplers

A FULL RANGE OF ADVANCED CIRCULAR STAPLERS
TO COVER ALL SURGEONS NEEDS



Closure Speed Function

The different speed of closure provides a better control of the closure action and avoids damage over the tissues



Dual safety mechanism

Inside and outside safety to prevent misfiring

LAPAROSCOPIC CIRCULAR STAPLERS



90°
Folding
Anvil!

Unique 90° Folding Anvil

*For an easy and safe removal
through the created anastomosis*



Grasping area

*To avoid slipping
of the laparoscopic
grasper*



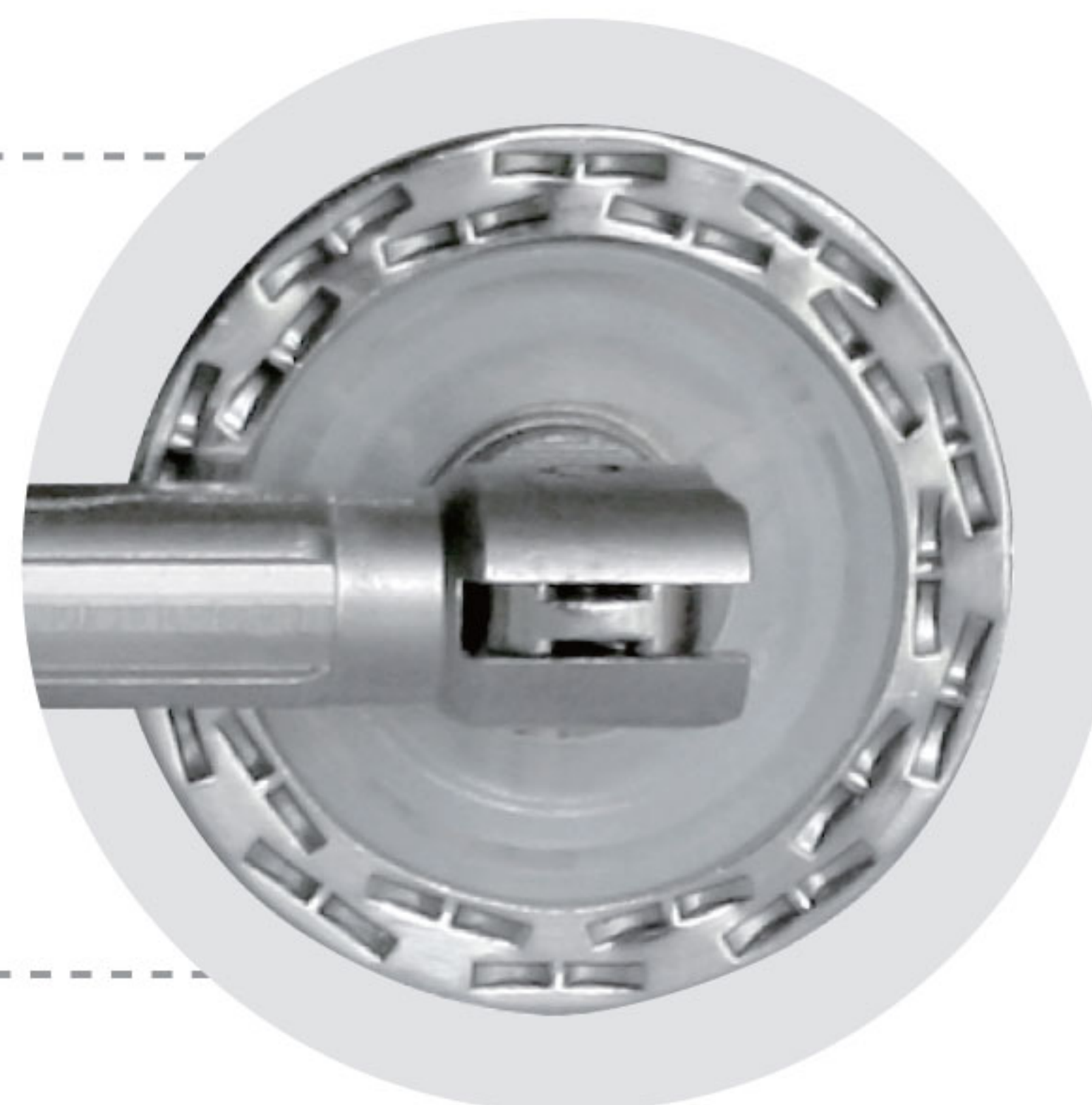
*FTS Design**

*Feeding Tube Solution to protect
the anastomotic stoma*



Cutting washer

*To provide a precise cutting and
audible and tactile feedback when firing*



LAPAROSCOPIC CIRCULAR STAPLERS



Product

Description

FCSLWBE 21	Circular Stapler 21mm, dual safety, 4.5mm staple height
FCSLWBE 24	Circular Stapler 24mm, dual safety, 4.5mm staple height
FCSLWBE 26	Circular Stapler 26mm, dual safety, 4.8mm staple height
FCSLWBE 29	Circular Stapler 29mm, dual safety, 4.8mm staple height
FCSLWBE 32	Circular Stapler 32mm, dual safety, 5.0mm staple height
FCSLWBE 34	Circular Stapler 34mm, dual safety, 5.0mm staple height



FCSME 21	Circular Stapler 21mm , dual safety, folding Anvil, 4.5mm staple height
FCSME 24	Circular Stapler 24mm , dual safety, folding Anvil, 4.5mm staple height
FCSME 26	Circular Stapler 26mm , dual safety, folding Anvil, 4.8mm staple height
FCSME 29	Circular Stapler 29mm , dual safety, folding Anvil, 4.8mm staple height
FCSME 32	Circular Stapler 32mm , dual safety, folding Anvil, 5.0mm staple height



FCSSWAF 24	Circular Stapler 24mm , dual safety, folding Anvil & FTS, 4.5mm staple height
FCSSWAF 26	Circular Stapler 26mm , dual safety, folding Anvil & FTS, 4.8mm staple height
FCSSWAF 29	Circular Stapler 29mm , dual safety, folding Anvil & FTS, 4.8mm staple height
FCSSWAF 32	Circular Stapler 32mm , dual safety, folding Anvil & FTS, 5.0mm staple height